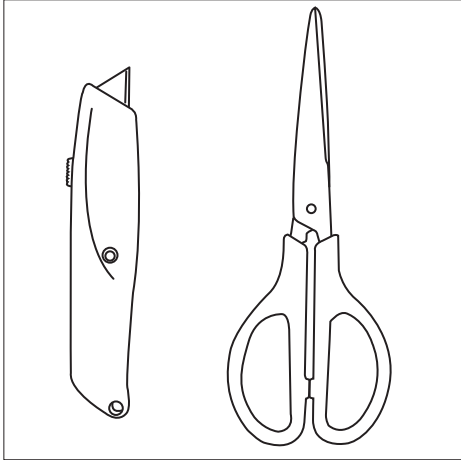


GRID Wall Pockets

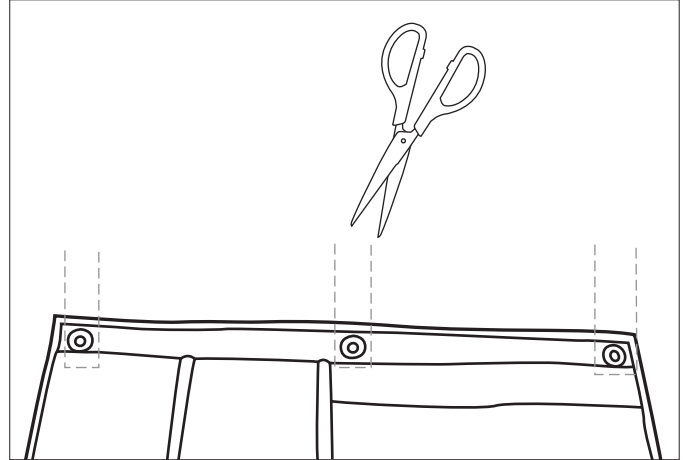
IMPORTANT: Save instructions for recycling.

Printable instructions available online at: www.mioculture.com/pdf/grid.pdf

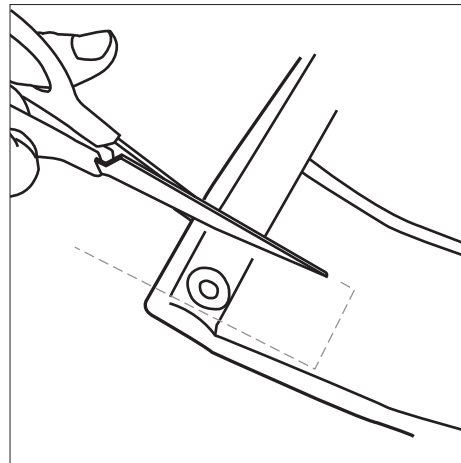
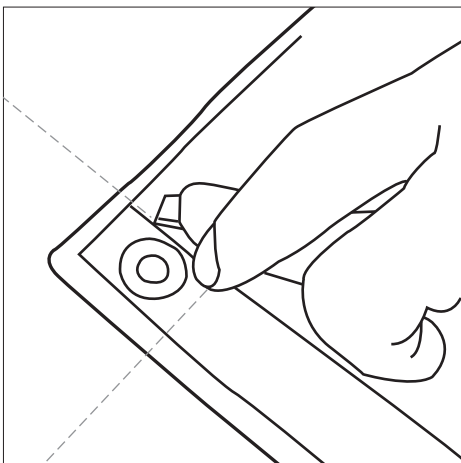
Tools



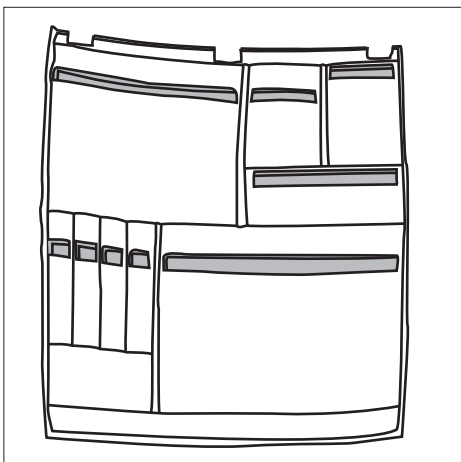
Locate the grommets on the back of the Grid Wall Pockets. Using sharp scissors or a utility knife, remove the grommets by carefully cutting them out completely.



Grommet Removal



Recycling



If you reside in the Continental United States, place the disassembled parts in a box and ship them back to us to the following address:

MIO
Att: We Recycle
340 North 12th Street
Unit 301
Philadelphia, PA
19107 USA

Additional Information

For international product recycling information please contact: info@mioculture.com or call us at: 215.925.9359