

Loop

SAFETY FIRST: All do-it-yourself activities involve risk. Although we have made every effort to ensure accuracy, the creator remains responsible for the selection and use of tools and materials. Obey local codes and laws, follow manufacturers operating instructions, and observe safety precautions!

SUGGESTED PROJECTS:

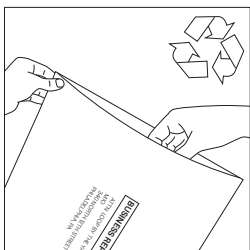
- Artwork
- Bib
- Book cover*
- Book mark
- Camera/ipod/hard drive cover
- Cards
- Coasters
- Cover for a keyboard
- Customize a lamp shade
- Curtains*
- Doily : under plants
- Dresser scarf
- Gift wrap
- Kids play tent*
- Kite*
- Outdoor pillows*
- Patio furniture covers
- Placemat*
- Poncho*
- Pouch/bag*
- Shower curtain
- Tablerunner*
- Tablecloth*
- Wallet

*Downloadable instructions available online at: www.mioculture.com

HELPFUL HINTS:

- Use double sided carpet tape for good adhesion. Can be found in most local hardware stores.
- On the sewing machine, straight stitches work best. Be sure to do some tests to see which settings on your machine will work well.
- Work on a large tidy workspace in order to keep the material clean.
- When using scissors, the best cutting method is to hold the scissors open and run them along your line. (the material will cut like you wish wrapping paper did)
- In order to make the material softer and easier to work with crinkle it.
- Use velcro as a good attachment option.

Send us the scraps left over at the end of your project.



RECYCLING

Loop can be recycled and used to make plastic lumber for decks and other weather resistant, outdoor products. When your project is no longer needed please use the prepaid recycling envelope to send Loop back to us.

Misplaced your prepaid recycling envelope?
Please write to: info@mioculture.com or call us at: 215-925-9359

To order more Loop go to www.mioculture.com

Poncho

IMPORTANT: Follow instructions carefully! Save instructions for future reference.

Downloadable instructions available online at: www.mioculture.com/pdf/poncho.pdf

SAFETY FIRST: All do-it-yourself activities involve risk. Although we have made every effort to ensure accuracy, the creator remains responsible for the selection and use of tools and materials. Obey local codes and laws, follow manufacturers operating instructions, and observe safety precautions!

MATERIALS:

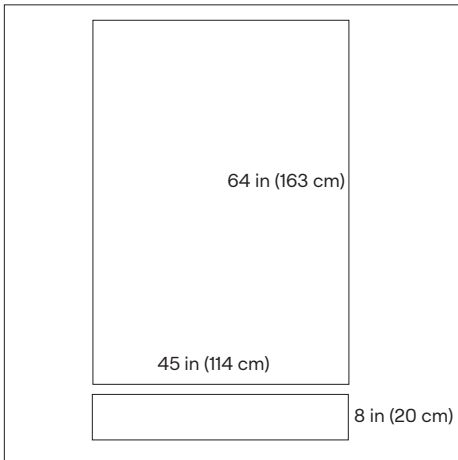
2 yards of Loop (183 cm)
Velcro
Carpet tape
(if not using a sewing machine)

TOOLS:

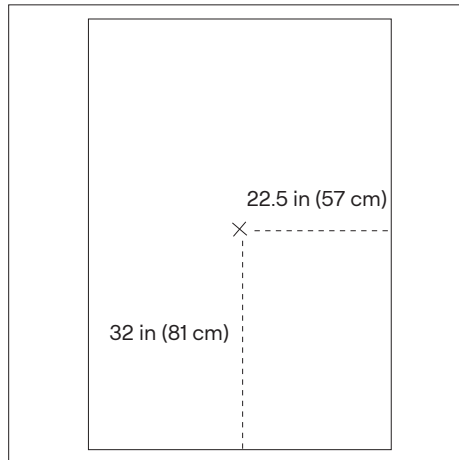
Scissors
Straight edge / ruler
Sewing machine
(if not using carpet tape)

DIFFICULTY: Medium

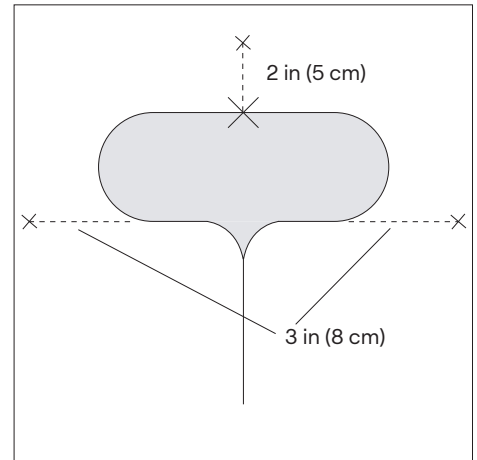
TIME: 1 - 2 hours



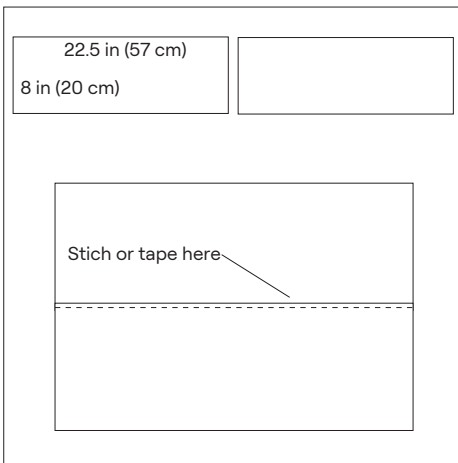
STEP 1 Cut 8 in (20 cm) off the short edge of your material so that you are left with a 45 in (114 cm) by 64 in (163 cm) rectangle. **Save for step 4.**



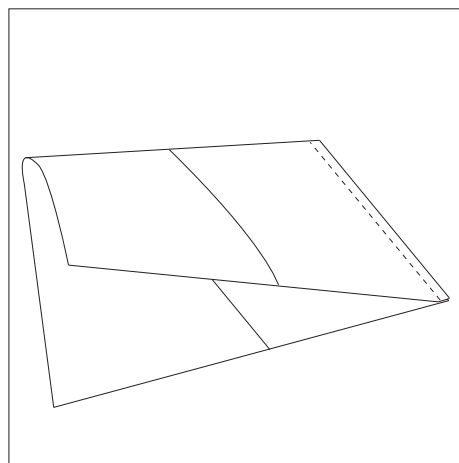
STEP 2 With your ruler find and mark the middle of your large rectangle. Use the poncho template on page 2 to cut the hole for your head.



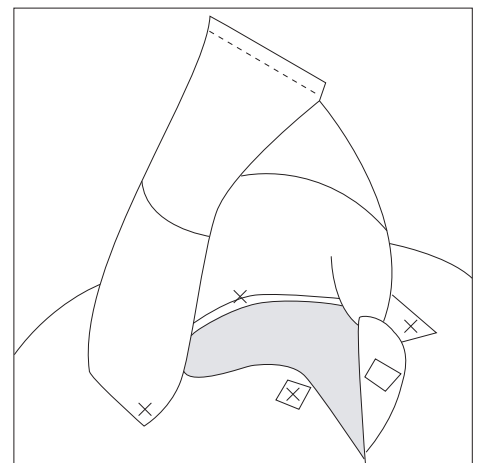
STEP 3 Measure up 2 in (5 cm) from the center mark and place a mark. From the bottom corners of the hole measure out 3 in (8 cm) and place marks.



STEP 4 Take the 8 in (20 cm) strip you cut off earlier. Cut it in half so that you have 2 pieces that measure 4 in (10 cm) by 22.5 in (57 cm). Sew/tape these two halves together for the start of your hood.

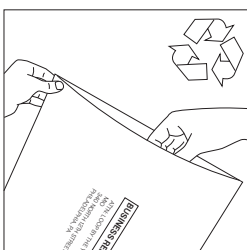


STEP 5 Fold a long edge together and sew/tape it down the length. This will be your hood.



STEP 6 Apply velcro at the marks you made earlier on the poncho or stitch the hood on. Crinkle the poncho to make it softer and lay more flat.

Send us the scraps left over at the end of your project.



RECYCLING

Loop can be recycled and used to make plastic lumber for decks and other weather resistant, outdoor products. When your project is no longer needed please use the prepaid recycling envelope to send Loop back to us.

Misplaced your prepaid recycling envelope?
Please write to: info@mioculture.com or call us at: 215-925-9359

To order more Loop go to www.mioculture.com

Pouch

IMPORTANT: Follow instructions carefully! Save instructions for future reference.
Downloadable instructions available online at: www.mioculture.com/pdf/pouch.pdf

SAFETY FIRST: All do-it-yourself activities involve risk. Although we have made every effort to ensure accuracy, the creator remains responsible for the selection and use of tools and materials. Obey local codes and laws, follow manufacturers operating instructions, and observe safety precautions!

MATERIALS:

1 yard of Loop (91 cm)
Velcro

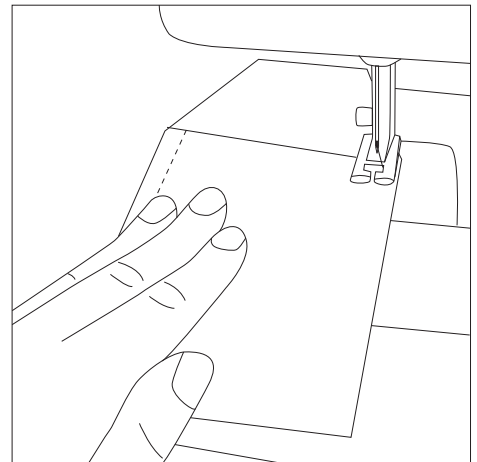
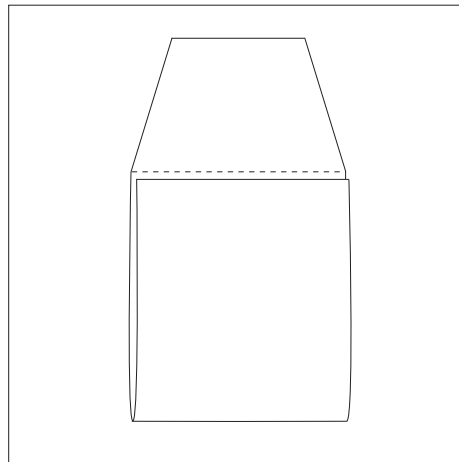
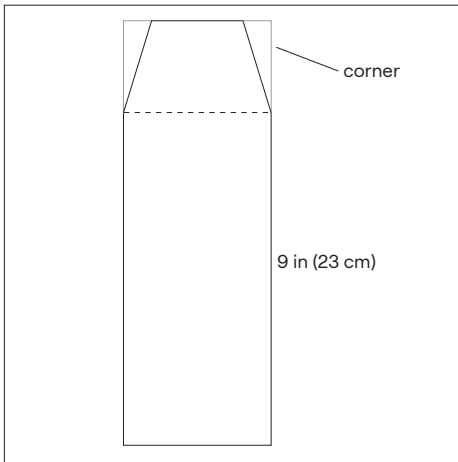
TOOLS:

Scissors
Straight edge / ruler
Sewing machine

DIFFICULTY: Medium

TIME: 30 - 45 min.

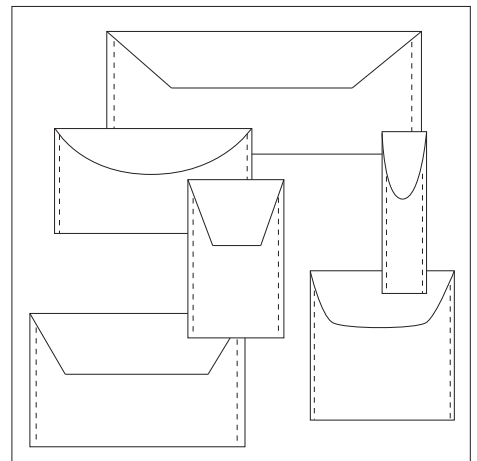
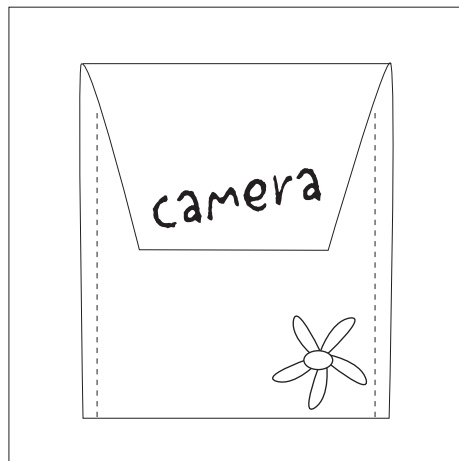
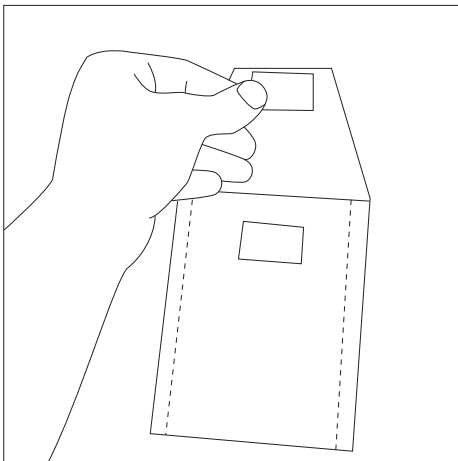
STEP 1 Start with a 4 in (10 cm) by 11.5 in (30 cm) rectangle of Loop. This will make a 4 in (10 cm) by 4.5 in (11 cm) pouch.



STEP 2 Using your ruler, lightly mark 9 in (23 cm) up from the bottom of your rectangle. Cut the corners off the remaining 2.5 in (6 cm).

STEP 3 Fold the bottom edge up to the marked line.

STEP 4 On the sewing machine, stitch the two sides closed. Stitch .25 in (.64 cm) from the edge.

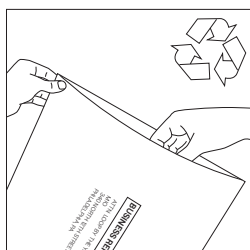


STEP 5 Apply velcro to the top of the flap and the front of the pouch.

STEP 6 Decorate or label your pouch.

STEP 7 Adjust the starting dimensions for a variety of pouch sizes.

Send us the scraps left over at the end of your project.



RECYCLING

Loop can be recycled and used to make plastic lumber for decks and other weather resistant, outdoor products. When your project is no longer needed please use the prepaid recycling envelope to send Loop back to us.

Misplaced your prepaid recycling envelope?
Please write to: info@mioculture.com or call us at: 215-925-9359

To order more Loop go to www.mioculture.com

Panel Curtain

IMPORTANT: Follow instructions carefully! Save instructions for future reference.

Downloadable instructions available online at: www.mioculture.com/pdf/curtain.pdf

SAFETY FIRST: All do-it-yourself activities involve risk. Although we have made every effort to ensure accuracy, the creator remains responsible for the selection and use of tools and materials. Obey local codes and laws, follow manufacturers operating instructions, and observe safety precautions!

MATERIALS:

1 yard of Loop (91 cm)
Dowels / conduit

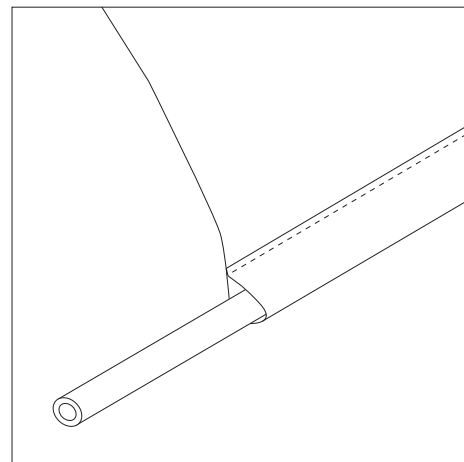
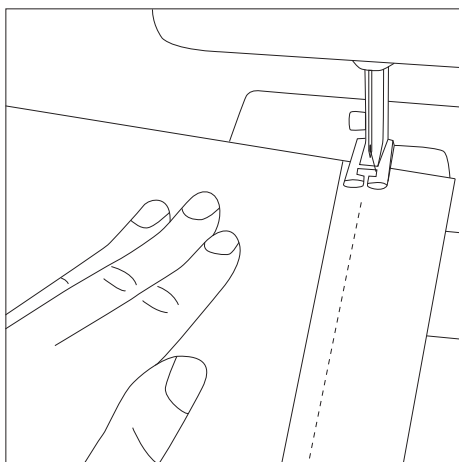
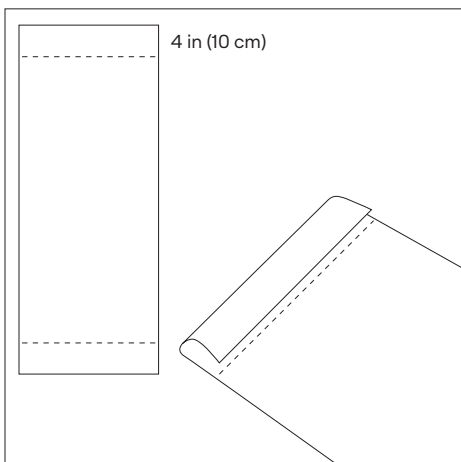
TOOLS:

Scissors
Straight edge / ruler
Sewing machine

DIFFICULTY: Medium

TIME: 1 - 2 hours

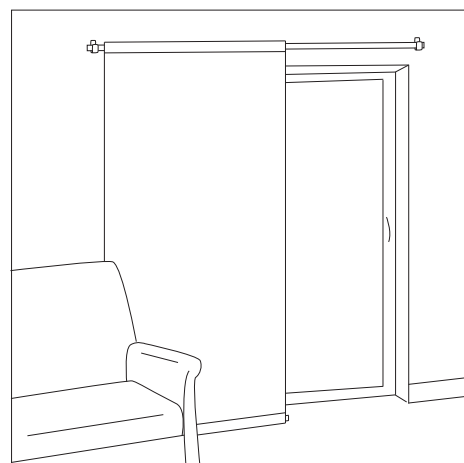
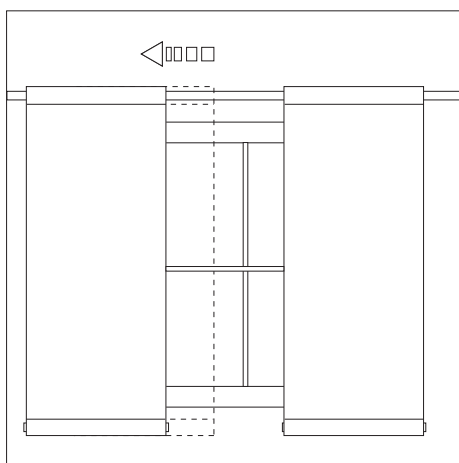
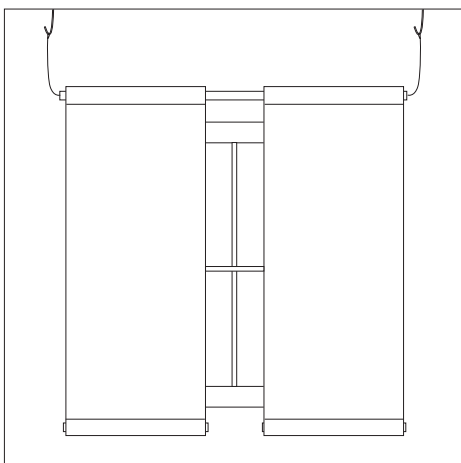
STEP 1 Start by cutting the yard of Loop in half so that you have 2 pieces that measure 18 in (46 cm) by 45 in (114 cm). This is for 18 in (46 cm) by 43 in (109 cm) curtains.



STEP 2 Take each piece and mark 4 in (10 cm) in from both shorter edges. Fold the edges in to these marks.

STEP 3 Stich along the edge of each fold to create a pocket along the top and bottom of the curtain.

STEP 4 Insert a dowel / conduit into the bottom pocket before you hang the curtain so that it will hang straight.

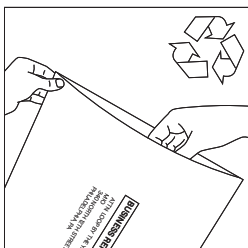


STEP 5 Slide the curtains onto a piece of conduit to hang. Run a rope through the conduit and hang from hooks on the ceiling.

STEP 6 If curtains are hung on a rod they can be slid back and forth.

STEP 7 For larger curtains use several yards of Loop.

Send us the scraps left over at the end of your project.



RECYCLING

Loop can be recycled and used to make plastic lumber for decks and other weather resistant, outdoor products. When your project is no longer needed please use the prepaid recycling envelope to send Loop back to us.

Misplaced your prepaid recycling envelope?
Please write to: info@mioculture.com or call us at: 215-925-9359

To order more Loop go to www.mioculture.com

Outdoor Play Tent

IMPORTANT: Follow instructions carefully! Save instructions for future reference.

Downloadable instructions available online at: www.mioculture.com/pdf/tent.pdf

SAFETY FIRST: All do-it-yourself activities involve risk. Although we have made every effort to ensure accuracy, the creator remains responsible for the selection and use of tools and materials. Obey local codes and laws, follow manufacturers operating instructions, and observe safety precautions!

MATERIALS:

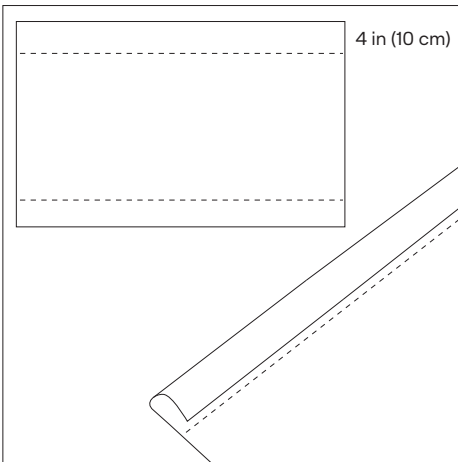
2 yards of Loop (183 cm)
Dowels or old broom handles
Carpet tape
(if not using a sewing machine)

TOOLS:

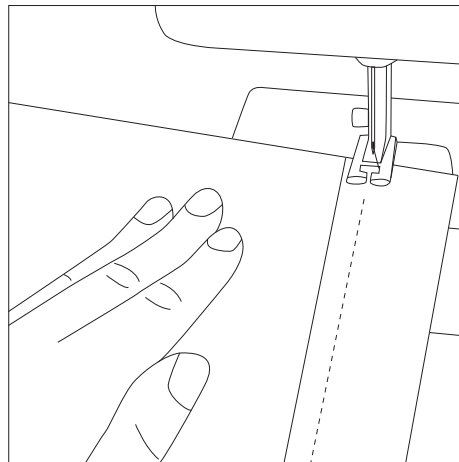
Scissors
Straight edge / ruler
Sewing machine
(if not using carpet tape)

DIFFICULTY: Medium

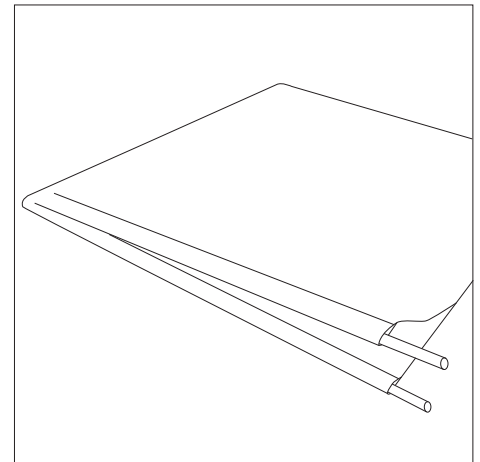
TIME: 1 - 2 hours



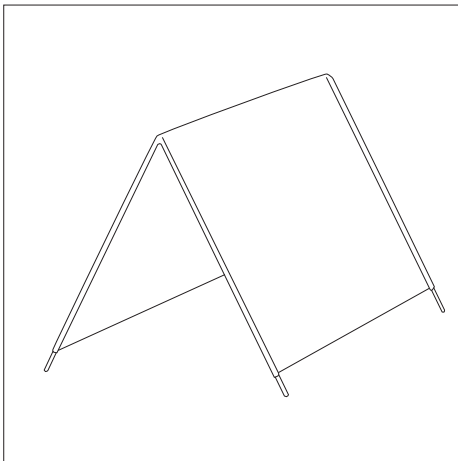
STEP 1 Mark Loop 4 in (10 cm) from both long edges. Fold the edges into these marks.



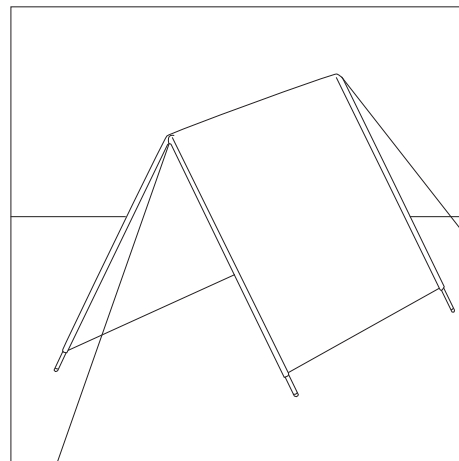
STEP 2 Sew/tape along the edge of each fold to create a pocket along the length.



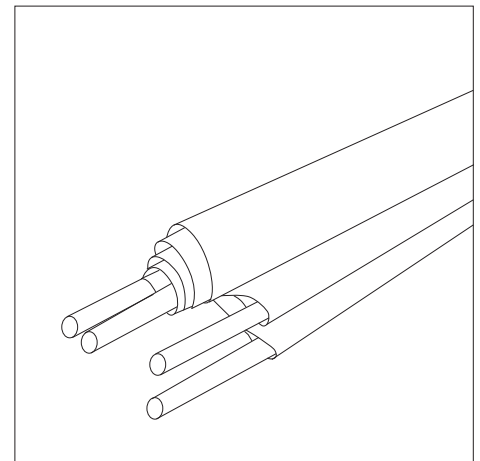
STEP 3 Fold Loop in half. Insert 4 dowels (roughly 36 in (91 cm) long), 1 at each end of the pockets.



STEP 4 Plant all 4 dowels on the ground to stand the tent upright.

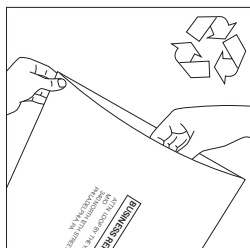


STEP 5 Stick the dowels into the ground outside, tie a string to the corners to pull the tent out to stabilize the tent.



STEP 6 When finished playing for the day, the tent can be taken down and rolled up.

Send us the scraps left over at the end of your project.



RECYCLING

Loop can be recycled and used to make plastic lumber for decks and other weather resistant, outdoor products. When your project is no longer needed please use the prepaid recycling envelope to send Loop back to us.

Misplaced your prepaid recycling envelope?
Please write to: info@mioculture.com or call us at: 215-925-9359

To order more Loop go to www.mioculture.com

Kite

IMPORTANT: Follow instructions carefully! Save instructions for future reference.

Downloadable instructions available online at: www.mioculture.com/pdf/kite.pdf

SAFETY FIRST: All do-it-yourself activities involve risk. Although we have made every effort to ensure accuracy, the creator remains responsible for the selection and use of tools and materials. Obey local codes and laws, follow manufacturers operating instructions, and observe safety precautions!

MATERIALS:

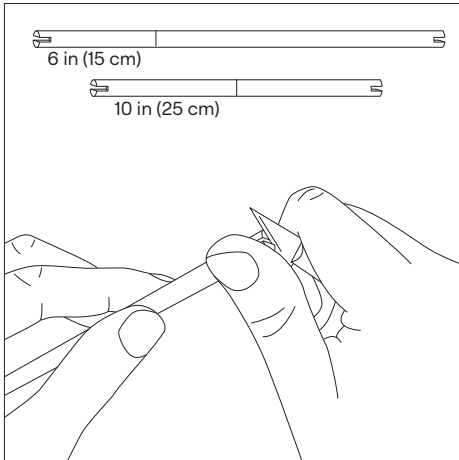
1 yard of Loop (91 cm)
2 wooden dowels
24 in (60 cm) and 20 in (50 cm)
Double sided carpet tape
String

TOOLS:

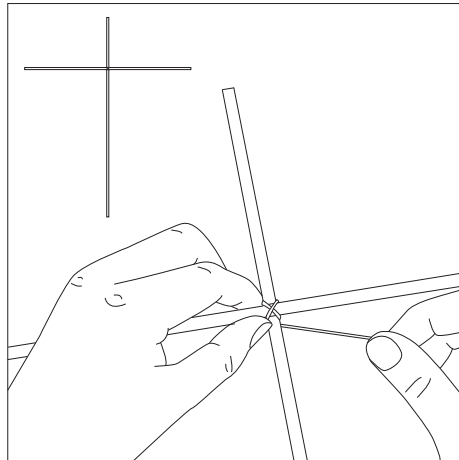
Scissors
Utility knife
Sewing needle

DIFFICULTY: Hard

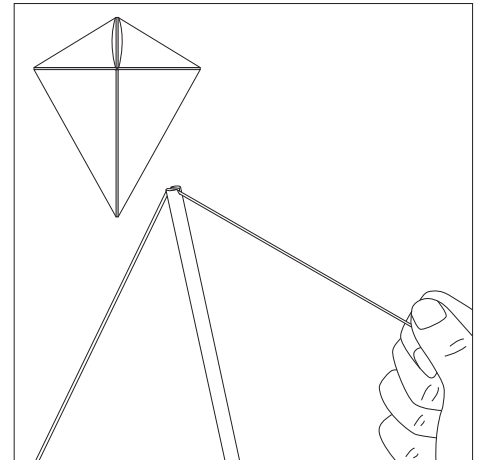
TIME: 1 - 2 hours



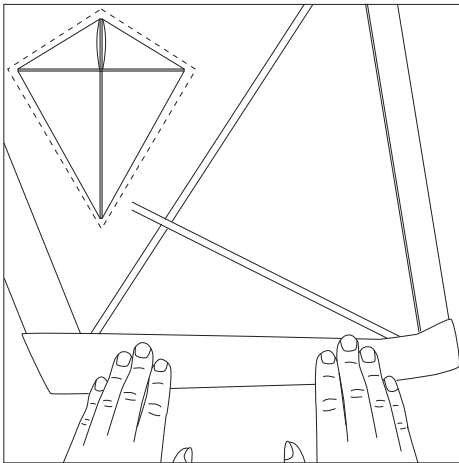
STEP 1 Mark the 24 in (60 cm) dowel 6 in (15 cm) from the end and the 20 in (50 cm) dowel 10 in (25 cm) from the end. CAREFULLY cut notches in the ends of the dowels.



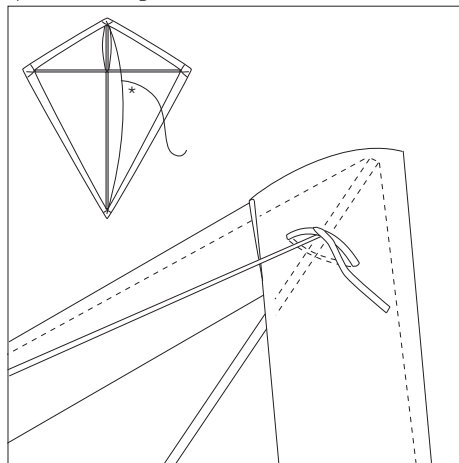
STEP 2 Cris-cross the dowels at the markings you made earlier and wrap the string around them in an X pattern to secure them. The notches should be parallel to the ground.



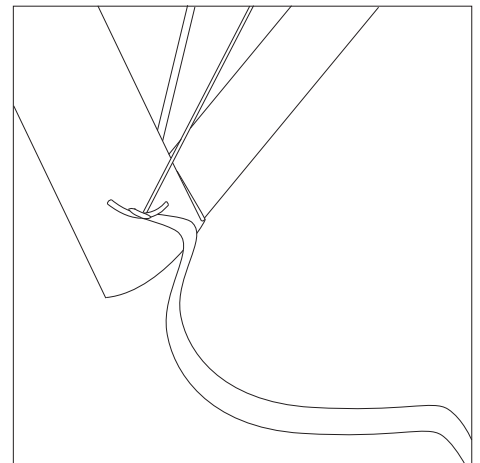
STEP 3 Thread your string through the notches to create a diamond shape. Wrap it around twice making sure to keep the string tight. Bring the end back down to the center to secure.



STEP 4 Lay the frame on top of Loop. Cut the material so that it is 2 in (5 cm) larger than the frame. Fold the edges of Loop over the frame and secure with carpet tape. Fold the corners in and reinforce them with tape.

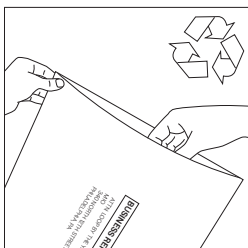


STEP 5 Make holes using a needle to secure a 24 in (60 cm) piece of string from the top corner to the bottom. Tie the remainder of your string to this line (this will be your flying string)*.



STEP 6 You can use your scraps to tie to a string for a tail. Attach your tail and fly.

Send us the scraps left over at the end of your project.



RECYCLING

Loop can be recycled and used to make plastic lumber for decks and other weather resistant, outdoor products. When your project is no longer needed please use the prepaid recycling envelope to send Loop back to us.

Misplaced your prepaid recycling envelope?
Please write to: info@mioculture.com or call us at: 215-925-9359

To order more Loop go to www.mioculture.com

Book Cover

IMPORTANT: Follow instructions carefully! Save instructions for future reference.

Downloadable instructions available online at: www.mioculture.com/pdf/bookcover.pdf

SAFETY FIRST: All do-it-yourself activities involve risk. Although we have made every effort to ensure accuracy, the creator remains responsible for the selection and use of tools and materials. Obey local codes and laws, follow manufacturers operating instructions, and observe safety precautions!

MATERIALS:

1 yard of Loop (91 cm)
Book to cover

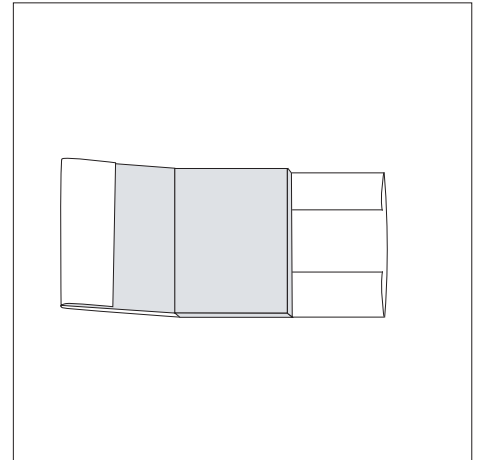
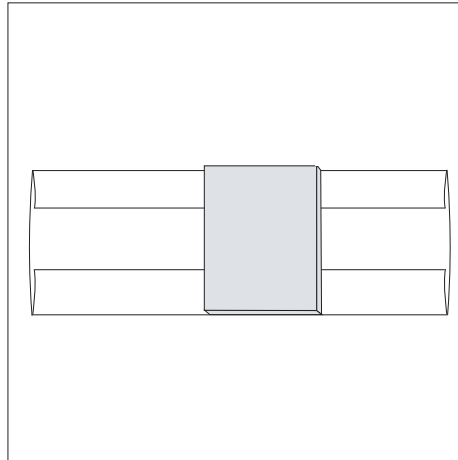
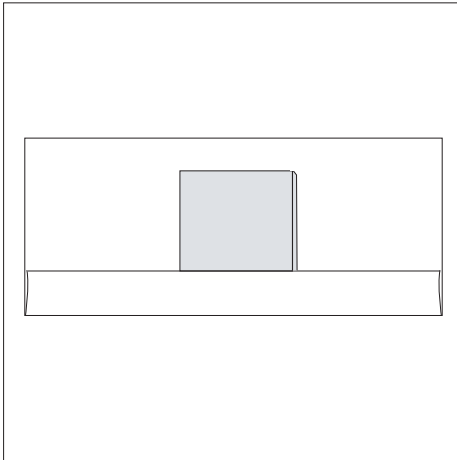
TOOLS:

Scissors
Straight edge / ruler

DIFFICULTY: Easy

TIME: 30 - 45 minutes

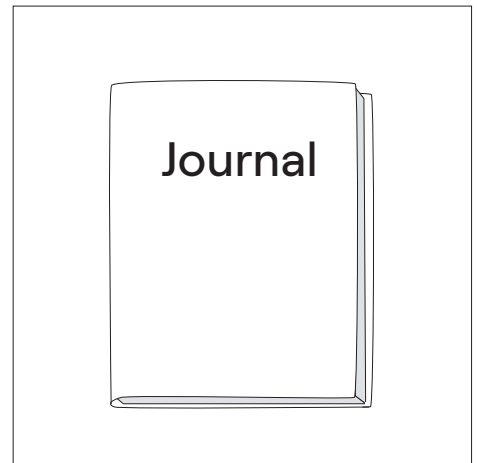
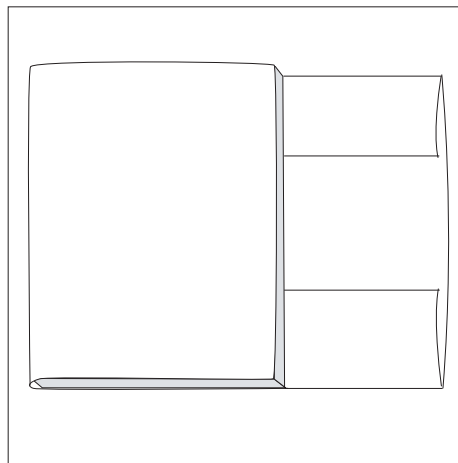
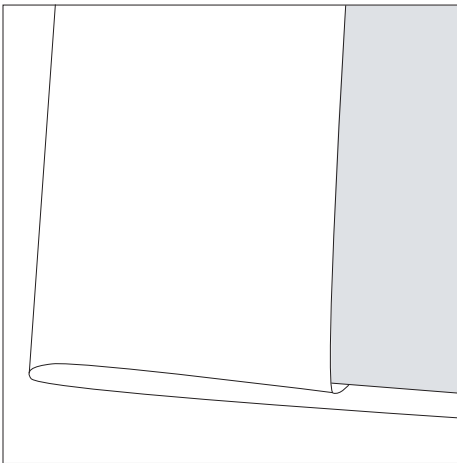
STEP 1 Measure the length and width of the book. Double the width measurement. Add 6 in (15 cm) to the length and new width. Cut Loop to this size to begin.



STEP 2 Place the closed book in the center of Loop. Fold your pre-cut Loop up around the bottom of the book and make a **crease** along the bottom cover. Repeat for the top.

STEP 3 Pull the book out and **fold** Loop along the two creases from step 1. Place the book back onto the material with the spine in the center of Loop.

STEP 4 Open the book and fold the edge of the material around the front cover and **crease**.

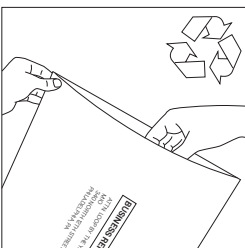


STEP 5 Insert the front cover into the pocket created by the fold. Slide the pocket down over the book until you hit the crease.

STEP 6 Close the book, pulling Loop tight across the cover. Fold the rest of the overlap around the back cover and repeat step 4 in the back.

STEP 7 Label or decorate your cover.

Send us the scraps left over at the end of your project.



RECYCLING

Loop can be recycled and used to make plastic lumber for decks and other weather resistant, outdoor products. When your project is no longer needed please use the prepaid recycling envelope to send Loop back to us.

Misplaced your prepaid recycling envelope?
Please write to: info@mioculture.com or call us at: 215-925-9359

To order more Loop go to www.mioculture.com

Table Coverings

IMPORTANT: Follow instructions carefully! Save instructions for future reference.

Downloadable instructions available online at: www.mioculture.com/pdf/tablecoverings.pdf

SAFETY FIRST: All do-it-yourself activities involve risk. Although we have made every effort to ensure accuracy, the creator remains responsible for the selection and use of tools and materials. Obey local codes and laws, follow manufacturers operating instructions, and observe safety precautions!

MATERIALS:
Loop

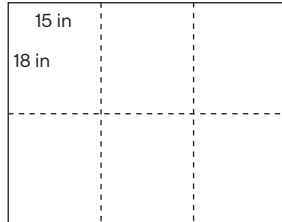
TOOLS:
Scissors / utility knife
Straight edge / ruler

DIFFICULTY: Easy

TIME: 30 minutes - 1 hour

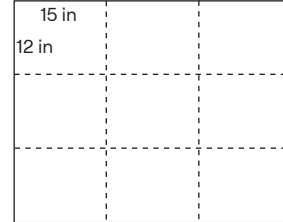
1 Yard (91 cm):

6 placemats
15 in x 18 in
(38 cm x 46 cm)



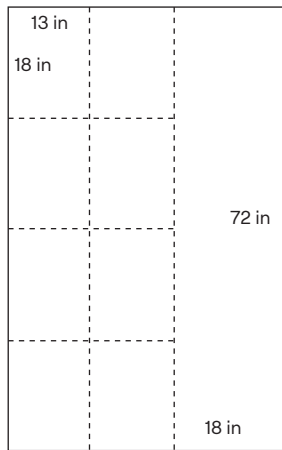
OR

9 placemats
12 in x 15 in
(30 cm x 38 cm)



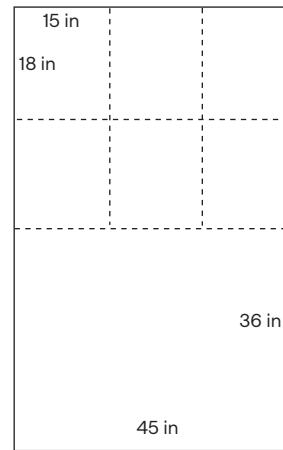
2 Yards (183 cm):

8 placemats
13 in x 18 in
(33 cm x 46 cm)
1 table runner
18 in x 72 in
(46 cm x 183 cm)



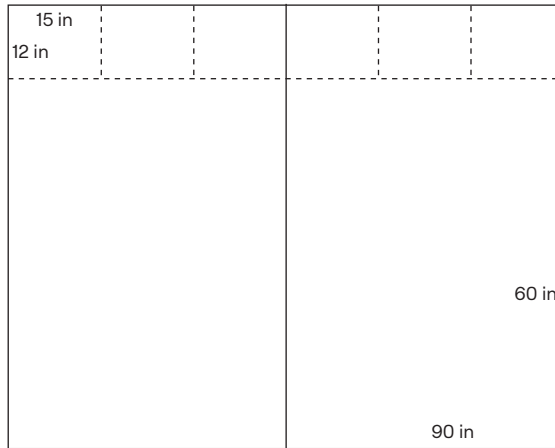
OR

6 placemats
15 in x 18 in
(38 cm x 46 cm)
1 tablecloth
36 in x 45 in
(91 cm x 114 cm)



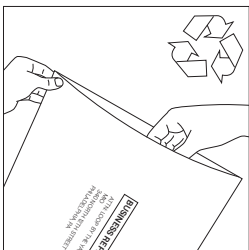
4 Yards (366 cm):

6 placemats
12 in x 15 in
(30 cm x 38 cm)
1 tablecloth
60 in x 90 in
(152 cm x 228 cm)



Start by cutting the 4 yards (366 cm) down to 2 yard (183 cm) pieces. For the table cloth you will have to either sew or tape the seam.

Send us the scraps left over at the end of your project.



RECYCLING

Loop can be recycled and used to make plastic lumber for decks and other weather resistant, outdoor products. When your project is no longer needed please use the prepaid recycling envelope to send Loop back to us.

Misplaced your prepaid recycling envelope?
Please write to: info@mioculture.com or call us at: 215-925-9359

To order more Loop go to www.mioculture.com