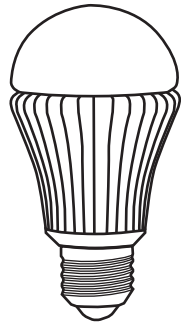
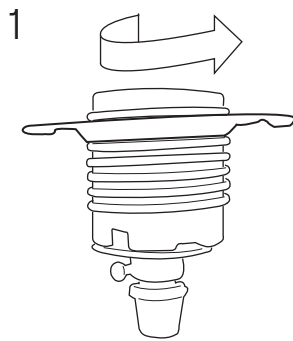
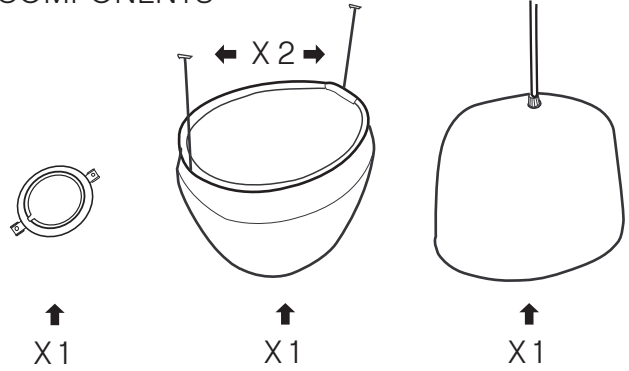


NEVER USE INCANDESCENT LAMPS WITH THIS FIXTURE. IF YOU ARE UNSURE ABOUT A PARTICULAR LAMP CONTACT US.

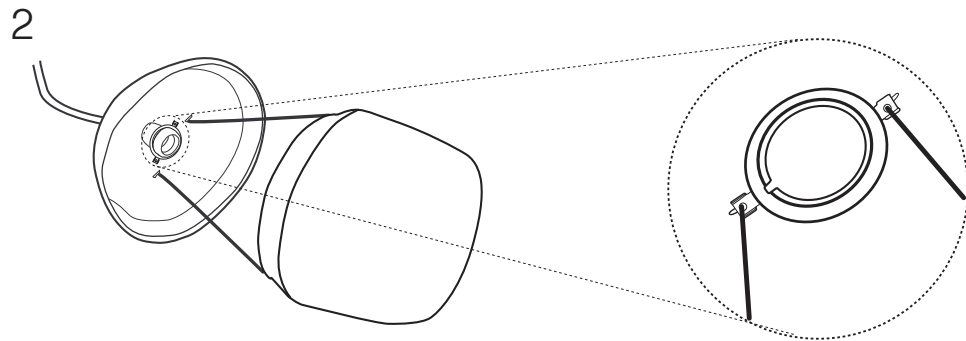


MIO suggests a low wattage LED lamp.

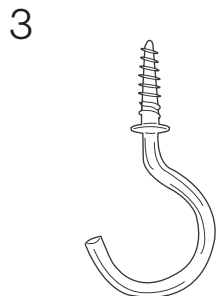
COMPONENTS



Adjust the metal ring so that it sits two threads into the socket. Align the knobs in the ring with the widest part of the shade.



Install a compact LED lamp. Insert the metal barbs into the holes in the metal ring. Position the lamp shade so that it fits snugly. Adjustments for a better fit can be made by threading or unthreading the metal ring in the socket.



Hang the assembled light securely from the ceiling. Consult your local hardware store for the most appropriate hardware and installation method.

MIOCULTURE.COM



All trademarks, service marks and trade names (MIO, product names and the MIO logo) are owned and registered by MIO. All content including but not limited to text, designs, graphics, photos and all other content ("Content") is a collective work under the United States and other copyright laws and is the proprietary property of MIO. All rights reserved. ©2025 MIOIM LLC

Still have questions?
Drop us a line or give us a call:

Email: info@mioculture.com
US Toll Free: 1 - 888 - 563 - 3916
International: +1 (215) 925 - 9359