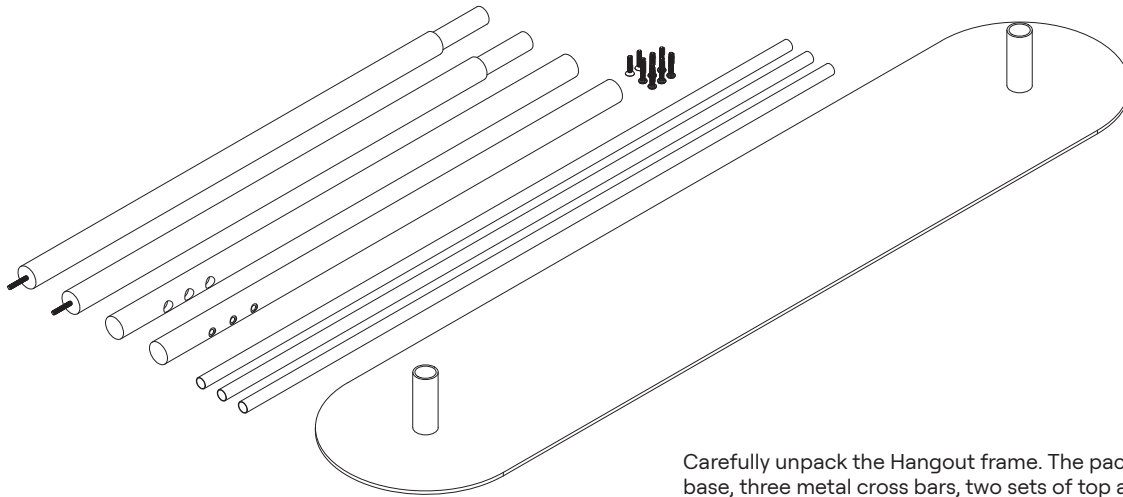
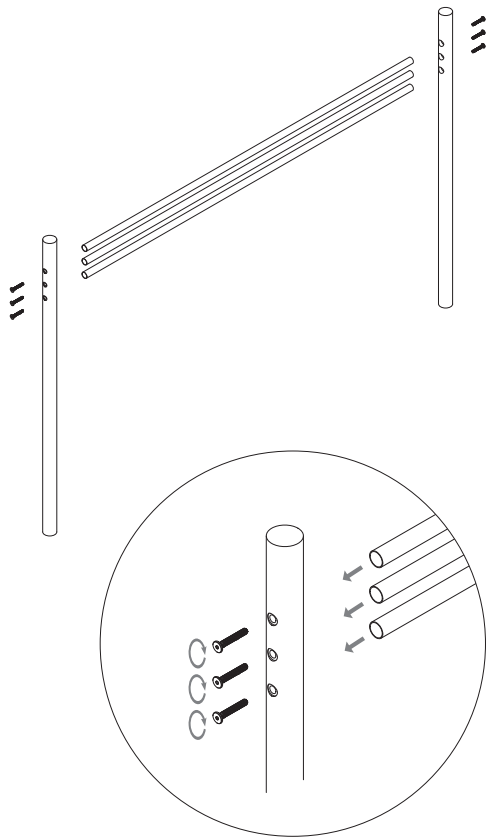


Parts List:



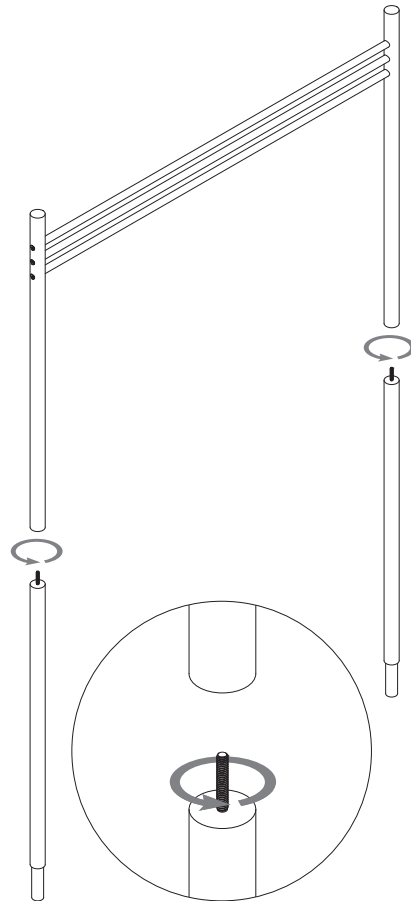
Carefully unpack the Hangout frame. The pack should include a base, three metal cross bars, two sets of top and bottom wooden dowels, six top dowel screws and two base screws along with an allen wrench.

1



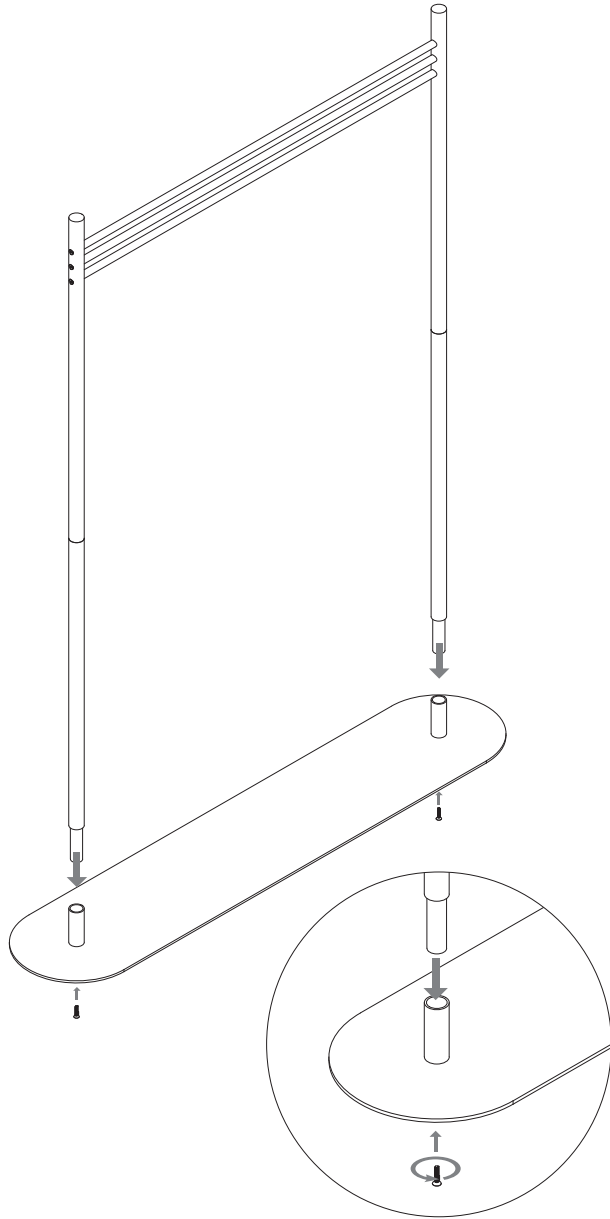
Carefully insert the cross bars into the holes on the top dowel sections. Lay them on the floor for easier assembly. Secure them with the six hex screws provided. Do not over-tighten them.

2



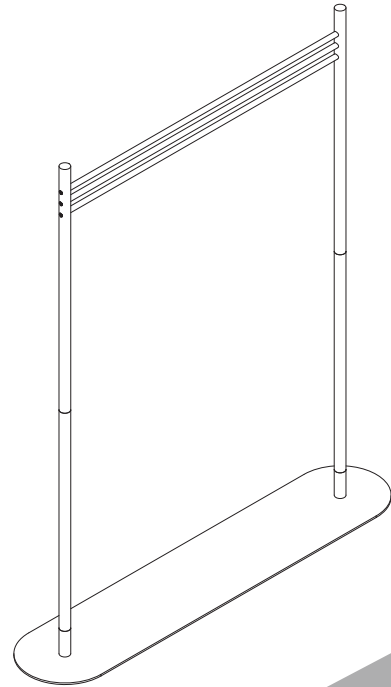
Screw the bottom wooden dowel sections into the top wooden dowel sections. Do not over tighten.

3

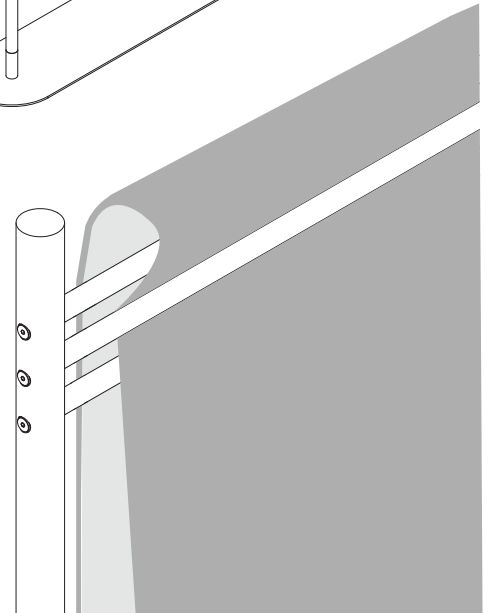


Carefully insert the assembly into the base. Tip the structure and carefully insert the base screws. Secure with the base screws using the allen wrench. Do not over-tighten.

4A



4B



Once the assembly is complete position the frame where you want the divider. Insert the acoustic Quiltforms by threading them between the middle bar and draping it over the top bar. Steam out wrinkles and unevenness out of the Quiltforms.

Still have questions?
Drop us a line or give us a call:

Email: info@mioculture.com
US Toll Free: 1 - 888 - 563 - 3916
International: +1 (215) 925 - 9359

MIOCULTURE.COM

