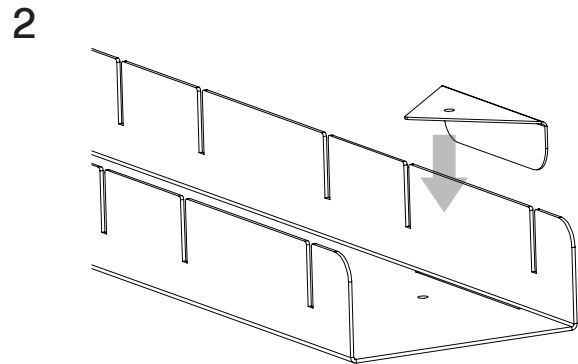
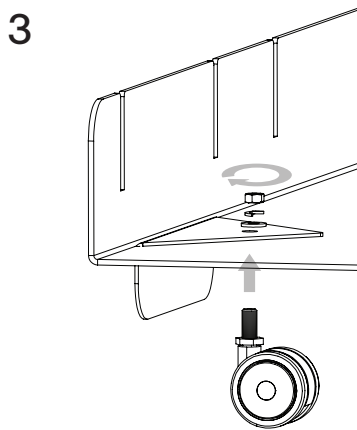


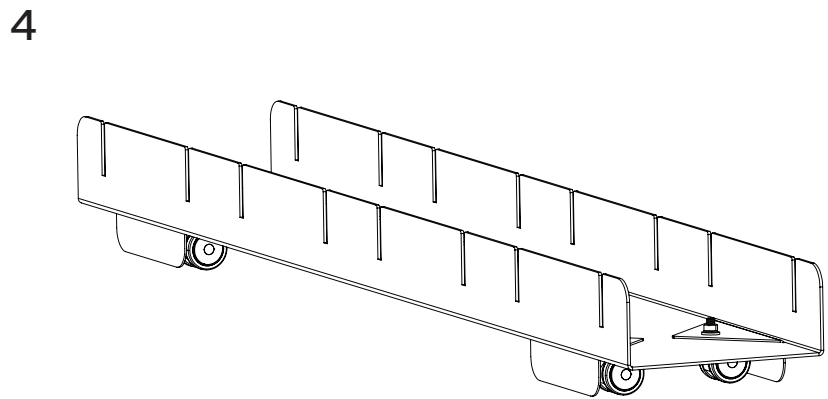
Nomad Sled includes one base (A), four wheel covers (B) and 4 casters with their respective washer, lock washer and nut.



Insert caster covers as shown lining up the holes on the plate cover and the base.



Secure plate covers by inserting the caster through the holes and securing them with the washer, lock washer and nut (in that order)



Be sure to tighten the nuts so that they are secure and check that the casters can rotate freely. The Nomad Sled is now ready to support a Nomad Felt Wall. **Use the small notches on the Nomad System Felt to secure the wall to the base.**

MIOCULTURE.COM

Still have questions?
Drop us a line or give us a call:

Email: info@mioculture.com
US Toll Free: 1 - 888 - 563 - 3916
International: +1 (215) 925 - 9359



All trademarks, service marks and trade names (MIO, product names and the MIO logo) are owned and registered by MIO. All content including but not limited to text, designs, graphics, photos and all other content ("Content") is a collective work under the United States and other copyright laws and is the proprietary property of MIO. All rights reserved. ©2025 MIOIM LLC