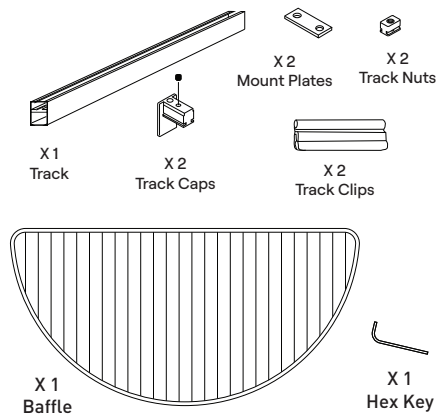
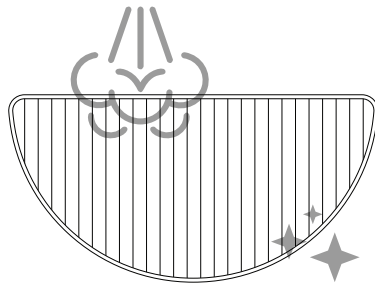


INCLUDED PARTS

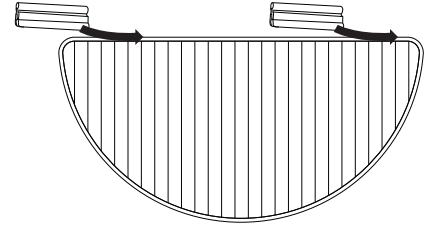


1



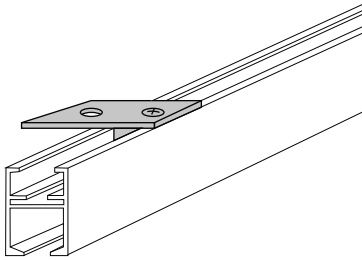
Carefully unpack all Quiltforms modules and hardware on a clean, dry surface. Steam the Quiltforms modules to remove wrinkles.

2



Thread in and slide the Track Clips onto the edge of the Quiltforms Baffles. The Track Clips should fit snugly on the edge binding of the Quiltforms.

3



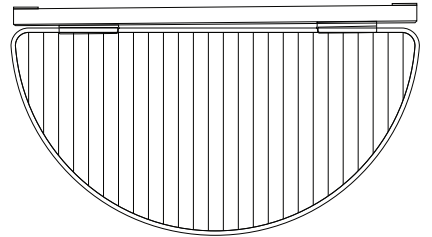
Insert the Track Nut into the smaller side of the track and secure the Mount Plate as shown.

4



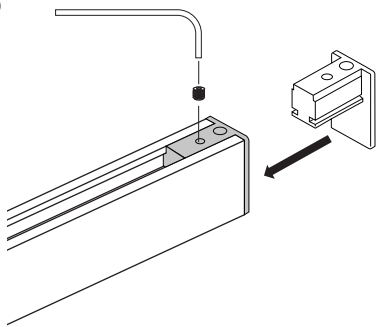
Carefully insert the Track Clips into the track channel as shown. Adjust so that Track Clips look even and the baffle is hanging straight.

5



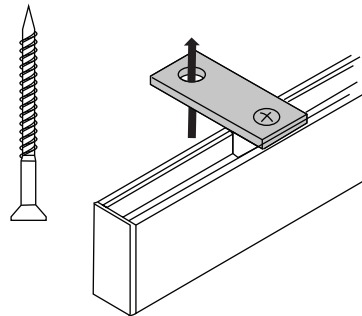
Mounted baffle on Track should look like the illustration above. The clips should be spaced out evenly.

6



Insert Track Caps and secure with the set screw as shown. This will lock the Quiltforms Baffle inside the Track.

7



Mount the track to the ceiling by using the holes on the Mount Plates. Select the appropriate hardware for your ceiling type. (Mounting hardware is NOT INCLUDED)

For questions or support give us a ring—we're here to help!

Email: info@mioculture.com
 US Toll Free: 1-888-563-3916
 International: +1 (215) 925-9359



WWW.MIOCULTURE.COM