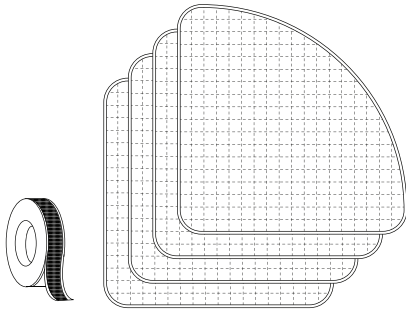
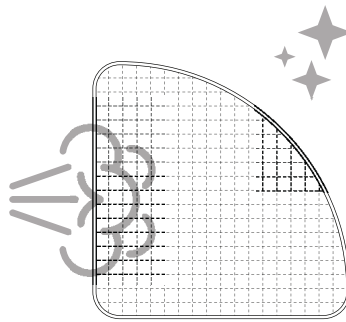


BEFORE YOU BEGIN



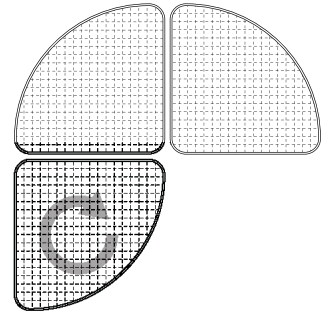
Carefully unpack all Quiltforms modules on a clean, dry surface. Each order includes a roll of adhesive Velcro for mounting the modules.

1



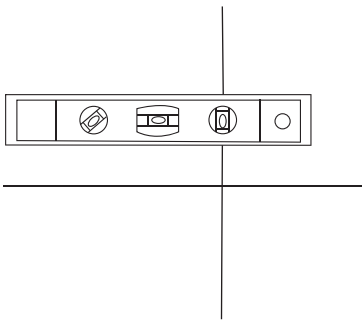
Before installation, make sure the wall surface is clean, dry and smooth to ensure proper adhesion. Inspect each piece and, if needed, use a steamer to gently release any wrinkles from shipping.

2



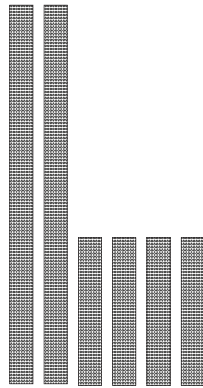
Select a pattern for installation and test the arrangement on a clean surface. We recommend having a printed layout to reference during installation.

3



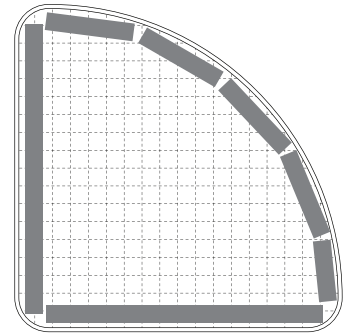
Use a level or laser and painter's tape to mark the position of your Quiltforms design on the wall.

4



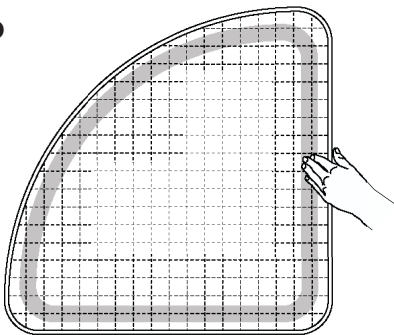
Cut sections of adhesive Velcro to cover the perimeter of each module being installed.

5



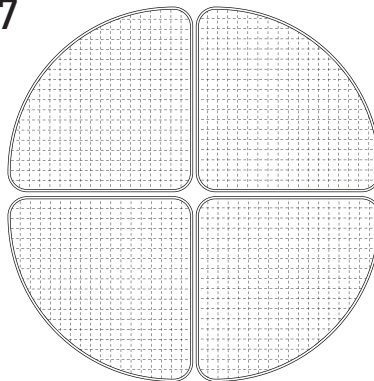
Apply Velcro strips to the edge of the module and press firmly so the hooks engage with the felt. Once secure, carefully remove the liner.

6



Position the module on the wall and press firmly along the full perimeter to ensure full contact. Use the adhesive liner or a wallpaper roller to avoid peeling.

7



Repeat for each module in your design. Modules can be carefully removed and adjusted.

MIOCULTURE.COM



Still have questions?
Drop us a line or give us a call:

Email: info@mioculture.com
US Toll Free: 1-888-563-3916
International: +1(215) 925-9359