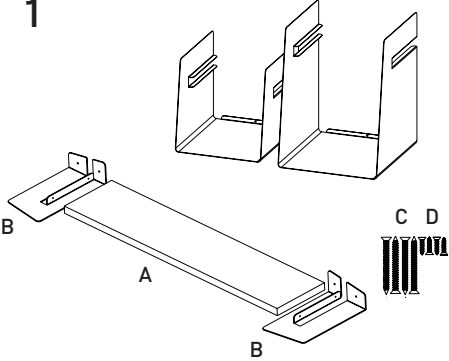
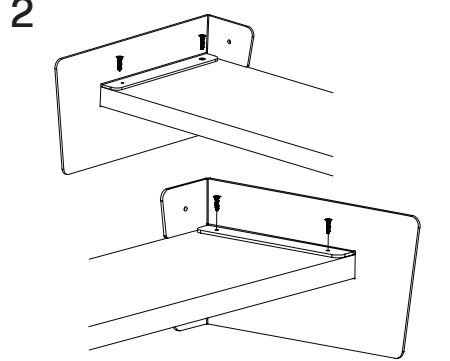
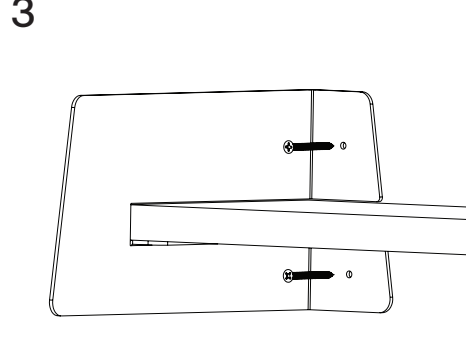
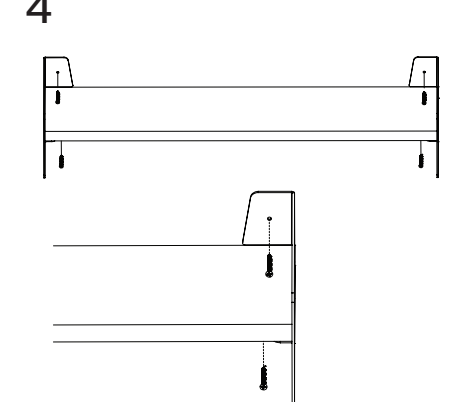
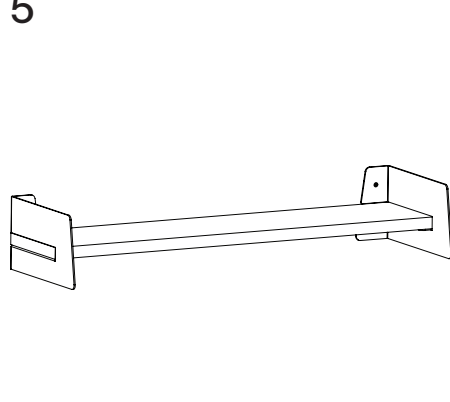
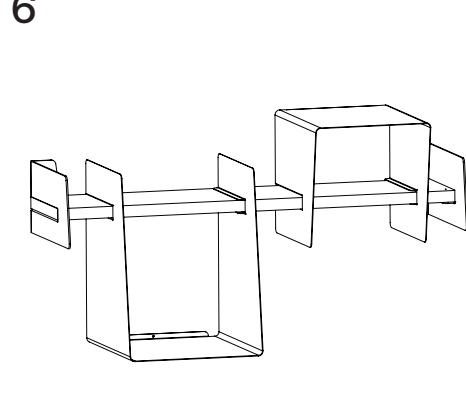


<p>1</p>  <p>Shelf includes one shelf board (A), two brackets (B), 4 large wall screws ©, 4 small screws (D) and bins when ordered.</p>	<p>2</p>  <p>Position right and left brackets (B) on shelf board (A) sides. Pre-drilled holes on board should face bracket holes. Secure board with small screw D.</p>	<p>3</p>  <p>Slide Shelf includes hardware for securing shelf to drywall only. Use proper hardware for your specific case and follow hardware manufacturer instructions.</p>
<p>4</p>  <p>Be sure to use a level to properly align shelf in desired location.</p>	<p>5</p>  <p>Slide Shelf installed should look like the illustration above.</p>	<p>6</p>  <p>Slide bins into position and adjust as needed on the Slide Shelf.</p>

Still have questions?
Drop us a line or give us a call:

Email: info@mioculture.com
US Toll Free: 1 - 888 - 563 - 3916
International: +1 (215) 925 - 9359

MIOCULTURE.COM



All trademarks, service marks and trade names (MIO, product names and the MIO logo) are owned and registered by MIO. All content including but not limited to text, designs, graphics, photos and all other content ("Content") is a collective work under the United States and other copyright laws and is the proprietary property of MIO. All rights reserved.
©2025 MIOOIM LLC