

Poncho

IMPORTANT: Follow instructions carefully! Save instructions for future reference.
Downloadable instructions available online at: www.mioculture.com/pdf/poncho.pdf

SAFETY FIRST: All do-it-yourself activities involve risk. Although we have made every effort to ensure accuracy, the creator remains responsible for the selection and use of tools and materials. Obey local codes and laws, follow manufacturers operating instructions, and observe safety precautions!

MATERIALS:

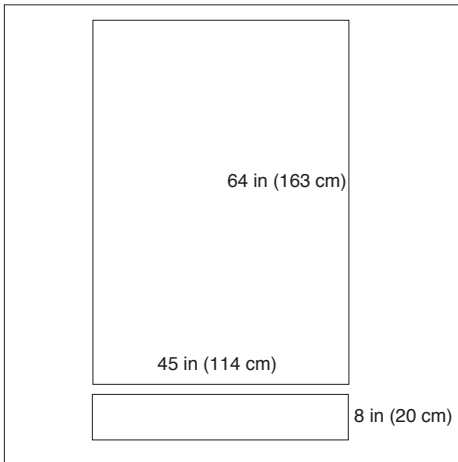
2 yards of Loop (183 cm)
Velcro
Carpet tape
(if not using a sewing machine)

TOOLS:

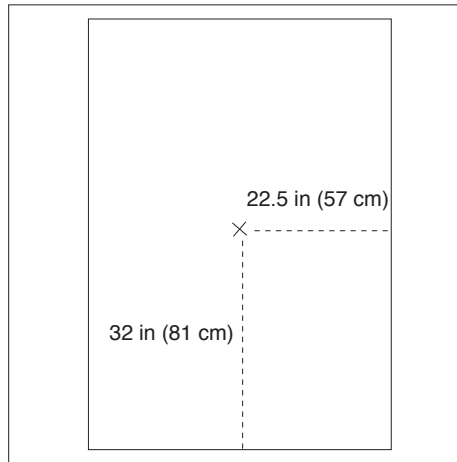
Scissors
Straight edge / ruler
Sewing machine
(if not using carpet tape)

DIFFICULTY: Medium

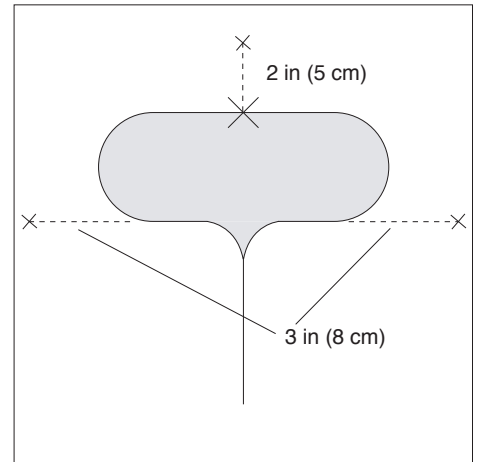
TIME: 1 - 2 hours



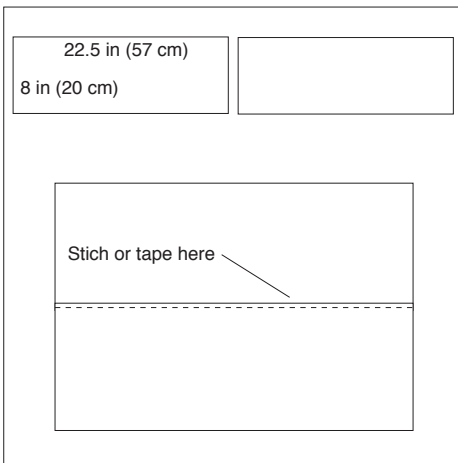
STEP 1 Cut 8 in (20 cm) off the short edge of your material so that you are left with a 45 in (114 cm) by 64 in (163 cm) rectangle. **Save for step 4.**



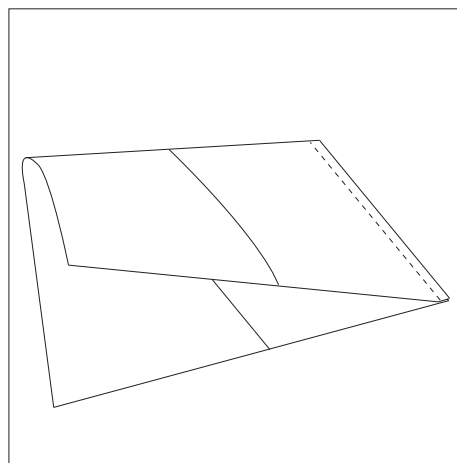
STEP 2 With your ruler find and mark the middle of your large rectangle. Use the poncho template on page 2 to cut the hole for your head.



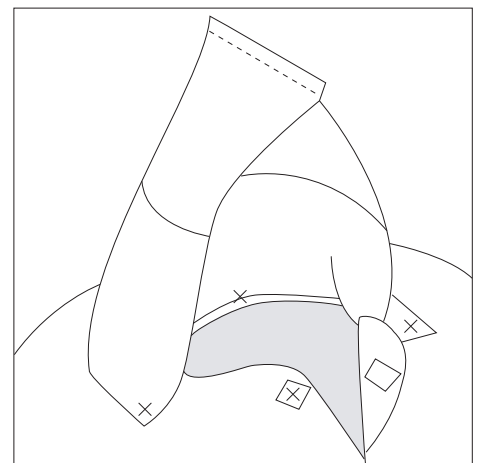
STEP 3 Measure up 2 in (5 cm) from the center mark and place a mark. From the bottom corners of the hole measure out 3 in (8 cm) and place marks.



STEP 4 Take the 8 in (20 cm) strip you cut off earlier. Cut it in half so that you have 2 pieces that measure 8 in (20 cm) by 22.5 in (57 cm). Sew/tape these two halves together for the start of your hood.

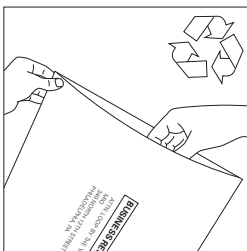


STEP 5 Fold a long edge together and sew/tape it down the length. This will be your hood.



STEP 6 Apply velcro at the marks you made earlier on the poncho or stitch the hood on. Crinkle the poncho to make it softer and lay more flat.

Send us the scraps left over at the end of your project.



RECYCLING

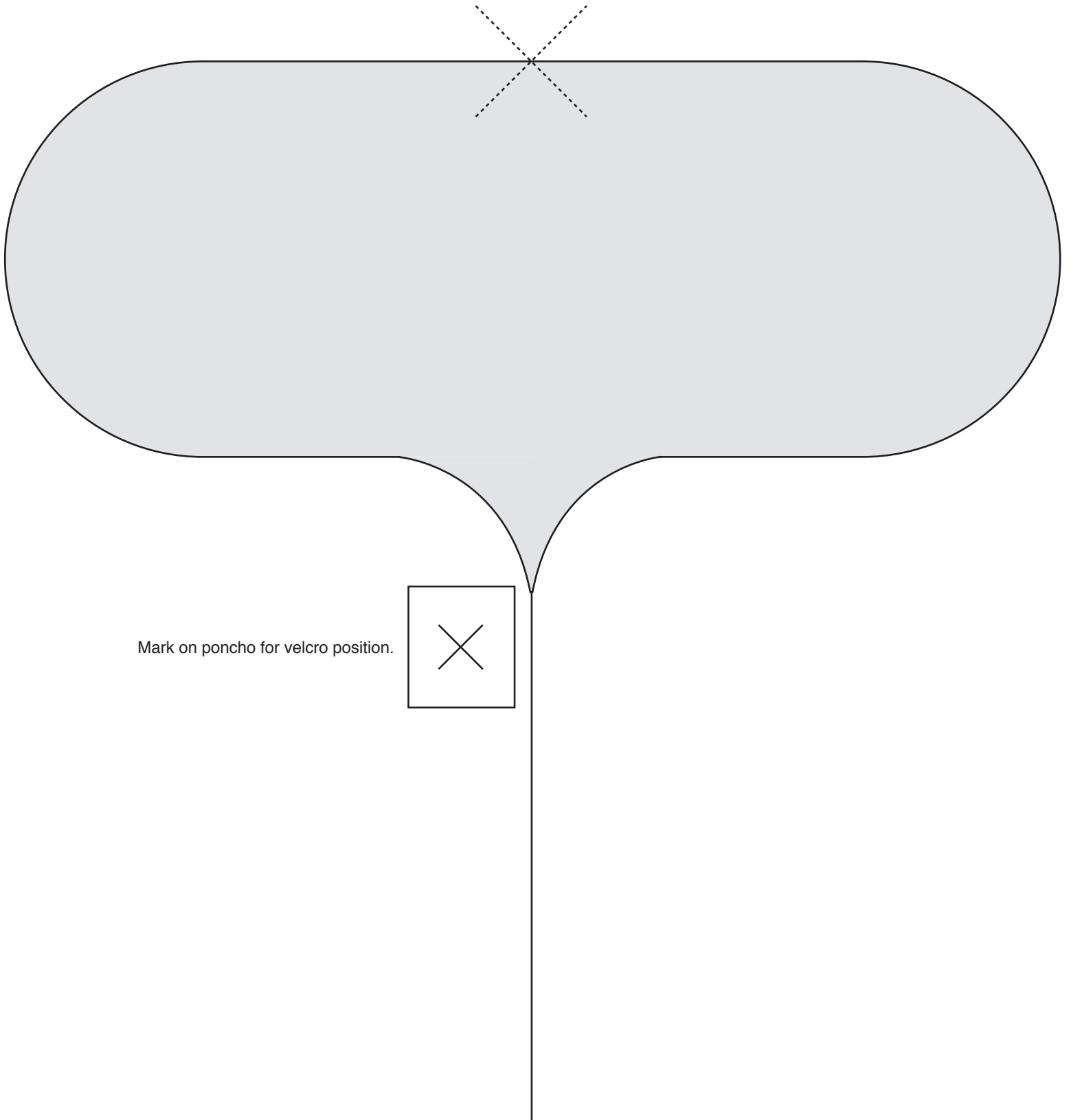
Loop can be recycled and used to make plastic lumber for decks and other weather resistant, outdoor products. When your project is no longer needed please use the prepaid recycling envelope to send Loop back to us.

Misplaced your prepaid recycling envelope?
Please write to: info@mioculture.com or call us at: 215-925-9359

To order more Loop go to www.mioculture.com

Poncho Template

Line up the X with the middle mark you made.
Cut out all solid lines so that you are left with a hole for your head.



Mark on poncho for velcro position.