

# Outdoor Play Tent

**IMPORTANT:** Follow instructions carefully! Save instructions for future reference.

Downloadable instructions available online at: [www.mioculture.com/pdf/tent.pdf](http://www.mioculture.com/pdf/tent.pdf)

**SAFETY FIRST:** All do-it-yourself activities involve risk. Although we have made every effort to ensure accuracy, the creator remains responsible for the selection and use of tools and materials. Obey local codes and laws, follow manufacturers operating instructions, and observe safety precautions!

## MATERIALS:

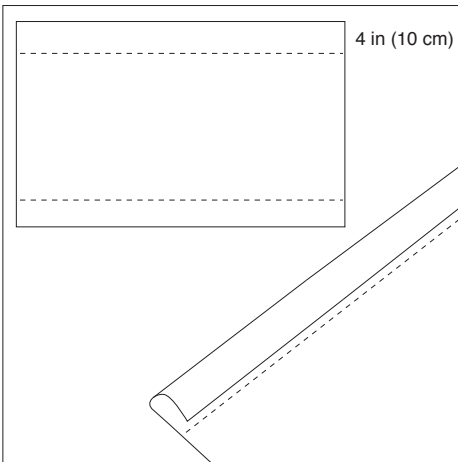
2 yards of Loop (183 cm)  
Dowels or old broom handles  
Carpet tape  
(if not using a sewing machine)

## TOOLS:

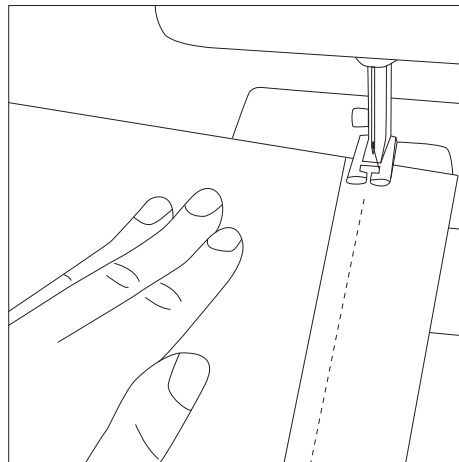
Scissors  
Straight edge / ruler  
Sewing machine  
(if not using carpet tape)

**DIFFICULTY:** Medium

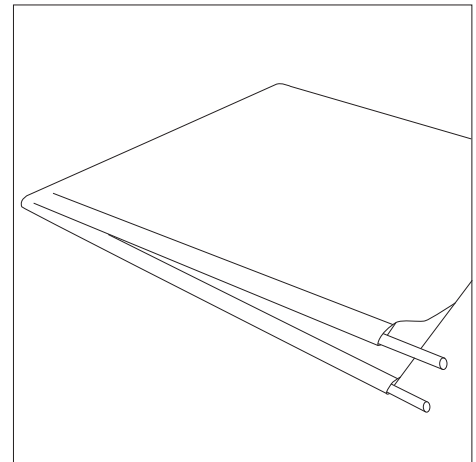
**TIME:** 1 - 2 hours



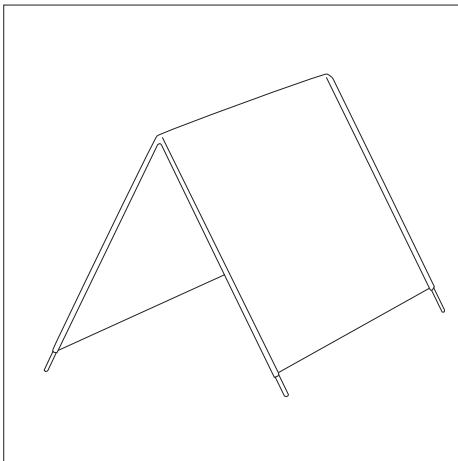
**STEP 1** Mark Loop 4 in (10 cm) from both long edges. Fold the edges into these marks.



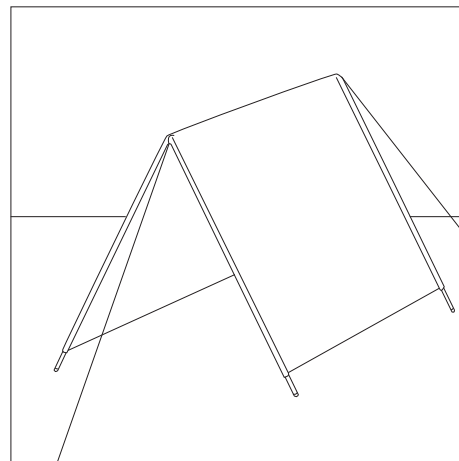
**STEP 2** Sew/tape along the edge of each fold to create a pocket along the length.



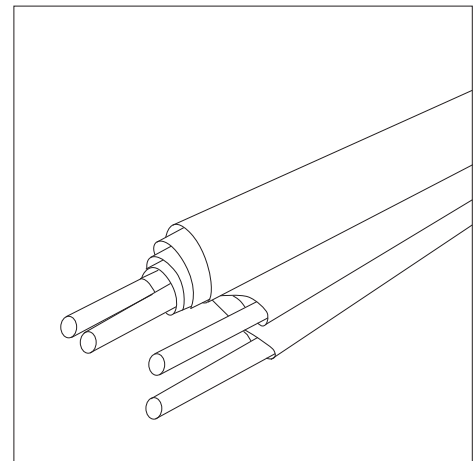
**STEP 3** Fold Loop in half. Insert 4 dowels (roughly 36 in (91 cm) long), 1 at each end of the pockets.



**STEP 4** Plant all 4 dowels on the ground to stand the tent upright.

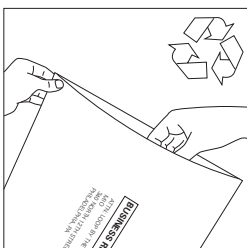


**STEP 5** Stick the dowels into the ground outside, tie a string to the corners to pull the tent out to stabilize the tent.



**STEP 6** When finished playing for the day, the tent can be taken down and rolled up.

Send us the scraps left over at the end of your project.



## RECYCLING

Loop can be recycled and used to make plastic lumber for decks and other weather resistant, outdoor products. When your project is no longer needed please use the prepaid recycling envelope to send Loop back to us.

Misplaced your prepaid recycling envelope?  
Please write to: [info@mioculture.com](mailto:info@mioculture.com) or call us at: 215-925-9359

To order more Loop go to [www.mioculture.com](http://www.mioculture.com)